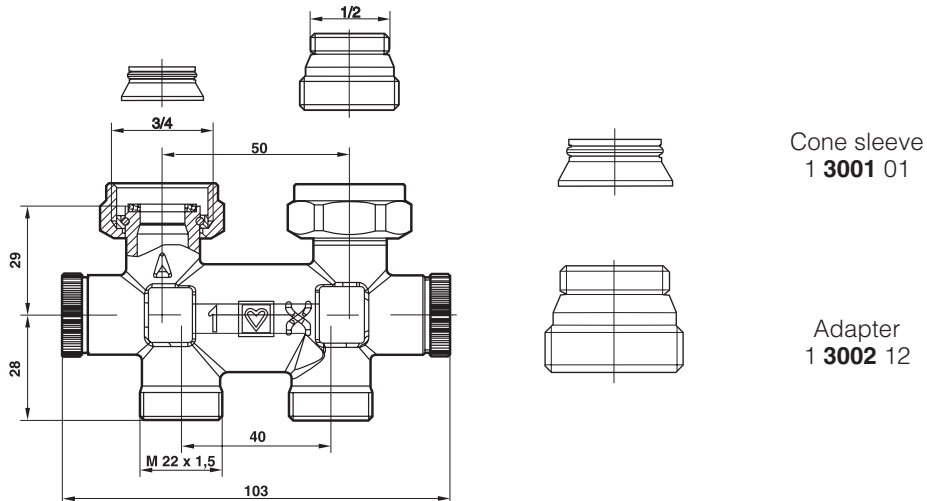


HERZ-3000 TP connection system for radiators AGA/ Thermopanelheizkörpern

For one-pipe and two-pipe system

Datasheet for **HERZ-3000 TP**, Issue 0616

Model



Radiator connection	G 3/4 AG	Rp 1/2 IG
Two pieces enclosed	1 3001 01	1 3002 12
Pipe-connection thread	M 22 x 1,5 mm mit Konus	M 22 x 1,5 mm mit Konus
Bypass body for one pipe systems with shut-off	1 3166 31	1 3166 32
Bypass body for two pipe systems with shut-off	1 3266 31	1 3266 32

Bypass body with shut-off, depending on the model for one pipe or two pipe system.

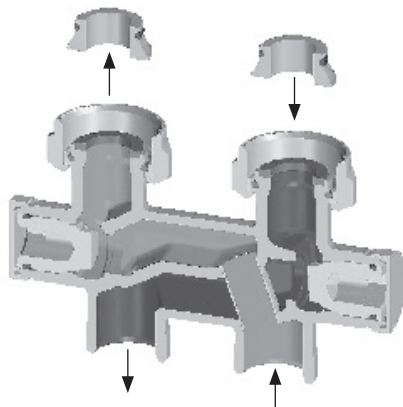
Bypass body straight-way form, freely rotating nut on radiator side, external thread on pipe M 22 x 1,5 for clamps

Shut-off of bypass is not possible, only shut-off of radiator is possible

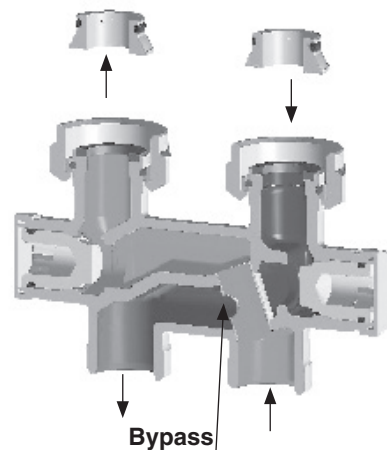
Center distance 50 mm to existing pipe installations radiator connection 40 mm centers and contrary flow and return directions.

Operating mode

Version: **Two pipe system** („2“ in body)

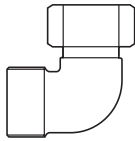


Version: **one pipe system** („1“ on body)

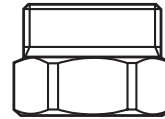


☑ Connections

1 **6248** 16 Connection ankle 90 °,
M 22 x 1,5 mm AG / M 22 x 1,5 mm IG



1 **6244** 01 Adapter,
M 22 x 1,5 mm IG / G 3/4 AG



☑ Compressions union

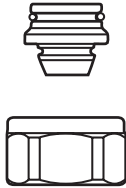
Pipe connection for copper-, steel-, and plastic pipe

Pipe connection for copper and steel pipes:

Union nut M22 x 1,5 mm

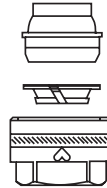
Pipe connection for plastic and multilayer pipes:

Union nut M22 x 1,5 mm



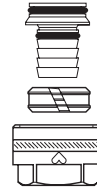
1 **6284** ..

Compression union metal-seated.
Not prepared for chrome-plated
metal pipes, or pipes made of
stainless steel.



1 **6286** ..

Compression union with
massive rubber seal (EPDM)



1 **6066** ..

Plastic pipe connection with
double O-ring and insulating
washer

Data sheets for HERZ Compressions unions for steel-, copper and plastic pipes are available separately

Plastic pipe and press fitting

Plastic pipe connectors are suitable for application class 4 and 5 according to ISO 10508 (panel heating and radiator connection) and for pipes made of PE-RT (DIN 4721), PE-MDX (DIN 4724), PB and PE-X (DIN 4726) as well as multilayer pipes (ÖNORM B 5157)

Maximal operating temperature: 95°C at 10 bar

Real operating pressure and temperature are depending on the pipe system.

☑ Accessory

- 1 **6822** 40 Double rosette for a center distance of 40 mm
- 1 **6625** 00 Multi-purpose key
- 1 **3002** 12 2 Connection nipples with flat seal; Direct installation on radiator Rp 1/2
- 1 **3001** 01 2 cone sleeve for radiator connection G 3/4

☑ Operating data

Maximal operating temperature: 120 °C

Maximal operating pressure 10 barr

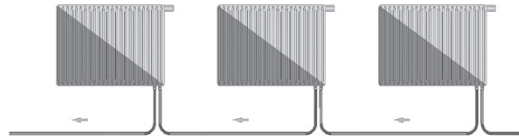
Heating water quality according to ÖNORM H5195 or VDI-Standard 2035. The use of ethylene or propylene glycol in a mixing ratio 25 - 50 % is allowed. EPDM gaskets can be affected by mineral oils lubricants and thus lead to failure of the EPDM seals. Please refer to manufacturer's documentation when using ethylene glycol products for frost and corrosion protection.

☑ Field of application

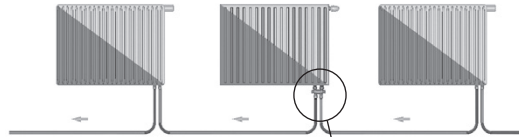
Nickel-plated bypass bodies and single shutoff valves serve for connection of radiators with integrated valves to the pipe with a shutoff function. The HERZ 3000 TP is designed for refurbishment of existing installations and heating systems with old radiators manufactured by AGA or thermo panels. Center distance of 50 mm to existing pipe installations radiator connection 40 mm centers and contrary flow and return directions.

Compression unions for pipe connection have to be ordered separately.

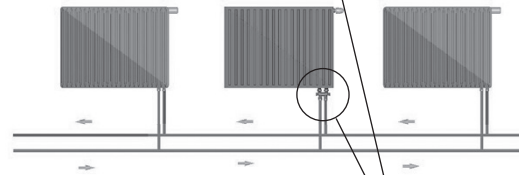
Existing one pipe system



Solution: **One pipe system**

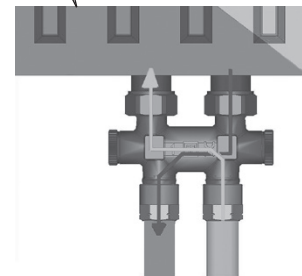


Solution: **Two pipe system**



Function in detail

Bypass body is made for every valve radiator with a center distance of $50 \pm 1,5$ mm with connection thread G 3/4 or Rp 1/2.

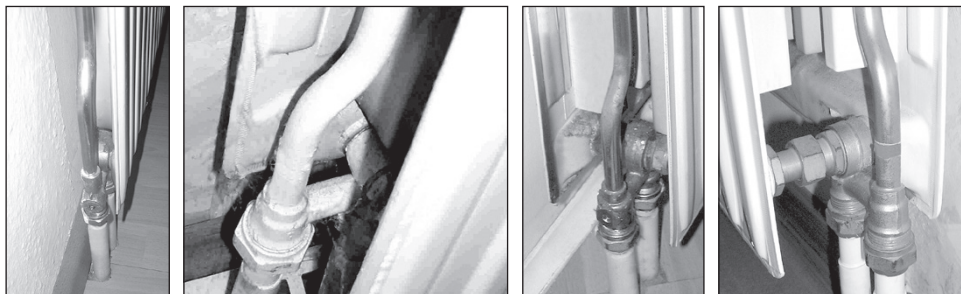


Constructive feature of the bypass body

The Bypass bodies are factory set for one pipe system at 40% of the amount of radiator water and can be altered at any time to suit another percentage (two pipe system = 100%). Radiator side there are two free moving union nuts and flat seal connections fitted. There are two connection nipples (1 3002 12) for Rp 1/2 or two cone sleeves (1 3001 01) included.

The closed bypass body can be pre-mounted on the pipe side, the equipment filled and pressure checked and the radiators put on after interior work is completed (painters, carpet). With the system under pressure the radiators can be emptied and removed.

Installation examples



Mounting on radiators

The bypass bodies must be mounted, depending upon the radiator connection by using the 1 3002 12 (Rp 1/2) connection nipples, flat sealed, or with the cone sleeves 1 3001 01 on the radiator. Using the flat seal version of the connection pieces small tolerances can be allowed in the pipe separation. The free-moving nuts must be only moderately tightened using a spanner, SW 30, to protect the rubber seals. Single shut-off valves are designed for metallic seals and are fitted for radiator connection G 3/4 with a free-moving hexagonal nut. The radiator connection of the valves for Rp 1/2 has O-Ring seals and is easy to install with the assembly key, 1 6680 00. For pre installed bypass bodies and valves, the uppersurfaces and union nts should be protected and/or covered until they are connected to radiator.

☑ Installation of compression union to the piping

When installing the compression unions no adjustable wrenches or similar tool should be used as this may lead to distortion of the union nut. Steel and copper pipes must be cleanly calibrated and deburred, and the use of support sleeves is recommended. The thread of the union nut should be oiled with silicone oil during installation, but mineral oils damage the O-ring of the clamping rings. The installation instructions included with the compression unions must be taken into account. Remove the covering caps.

☑ Dismantling the radiator

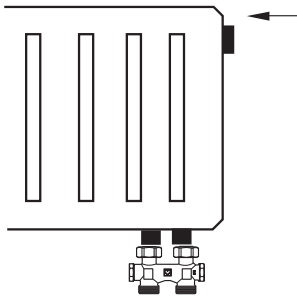
Abdeckkappen entfernen.
Mit Mehrzweckschlüssel SW 8/6-kant (1 6625 00) im Uhrzeigersinn absperren.
bei Einrohranlagen
Überwurfmuttern öffnen; Heizkörper abnehmen, Bypass bleibt in Betrieb.

Thermostatic operation of the radiator

☑ Thermostatic heads for direct installation on integrated valves of valve radiators with connection threads M30 x 1,5 (H) and clip or click fixing (D)

„H“ thermostatic heads with connection thread M 30 x 1,5

- „H“ 1 9230 98 Designer thermostatic head with „0“ position
- 1 9260 98 Designer thermostatic head with frost protection
- 1 9430 98 Designer thermostatic head with remote sensor, and „0“ position, capillary pipe length 2000 mm
- 1 9460 98 Designer thermostatic head with remote sensor, and frost protection, capillary pipe length 2000 mm
- 1 9200 38 Mini thermostatic head with „0“ position
- 1 9200 68 Mini thermostatic head with frost protection
- 1 9200 83 Mini thermostatic head with straight slits with „0“ position
- 1 9200 86 Mini thermostatic head with straight slits and frost protection
- 1 9200 93 Mini thermostatic head Mini-Turbo, with „0“ position
- 1 9200 96 Mini thermostatic head Mini-Turbo, with frost protection
- 1 9200 48 Mini thermostatic head, chrome
- 1 7260 98 Thermostatic head with frost protection
- 1 9330 98 Thermostatic head with remote adjustment, capillary pipe length 2000 mm
- 1 7260 83 Thermostatic head for the sight-impaired with adjustment markings on the hand wheel
- 1 9860 98 Herzcules with frost protection
- 1 9861 98 Herzcules with frost protection, can be lowered from outside by 10 K
- 1 9861 48 Herzcules with frost protection, can be lowered from outside by 4 K
- 1 9238 .. Thermostatic head „DeLuxe“ with „0“ position
- S 9238 .. Thermostatic head „DeLuxe“ with „0“ position
- 1 9338 .. Designer thermostats with remote adjustment
- 1 934. 98 Thermostat with remote adjustment for surface mounting
- 1 935. 98 Thermostat with remote adjustment for mounting
- 1 9102 98 Designer manual drive



„D“ thermostatic heads with clip or click fixing

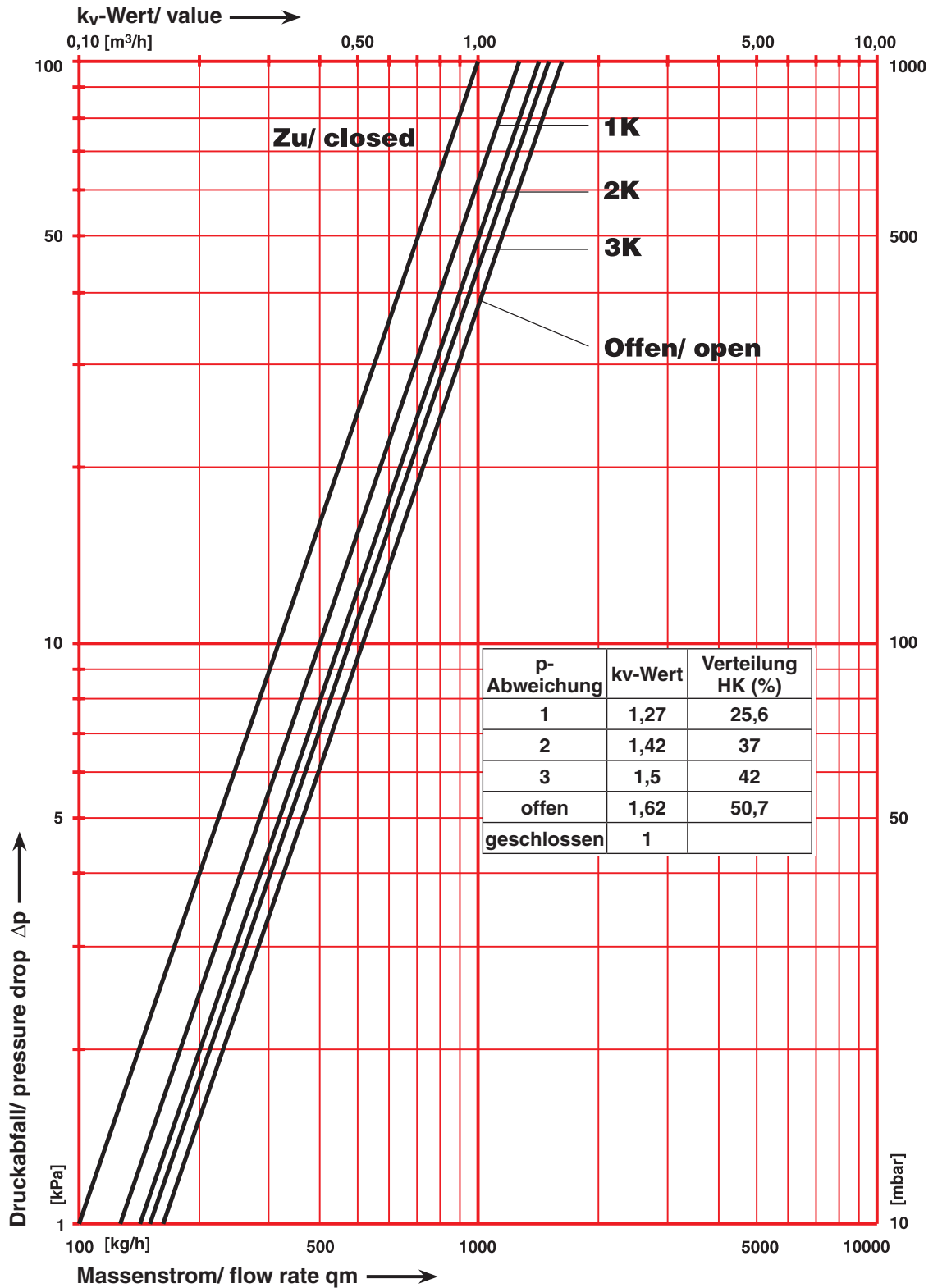
- „D“ 1 9230 99 Designer thermostatic head with „0“ position
- 1 9260 99 Designer thermostatic head with frost protection
- 1 7260 99 Thermostatic head with frost protection
- 1 7260 84 Thermostatic head for visually-impaired with setting markings on the hand wheel
- 1 9239 .. Thermostatic head „DeLuxe“ with „0“ position
- S 9239 .. Thermostatic head „DeLuxe“ with „0“ position
- 1 9330 99 Designer thermostats with remote adjustment
- 1 9339 .. Designer thermostats with remote adjustment
- 1 934. 99 Thermostat with remote adjustment for surface mounting
- 1 935. 99 Thermostat with remote setting for flush mounting
- 1 9102 99 Designer manual drive

Technical details of HERZ thermostats can be found on the product standard specification sheets.

HERZ-Diagram HERZ 3000 TP

Art.-Nr. 1 **3166 31**, 1 **3166 32**

One-pipe-system



HERZ-Diagram	HERZ 3000 TP
--------------	--------------

Art. Nr. 1 3266 31 , 1 3266 32	
--	--

